



LIVINGSTON PARISH COUNCIL MEETING

9/27/2022

MAKE A DIFFERENCE.

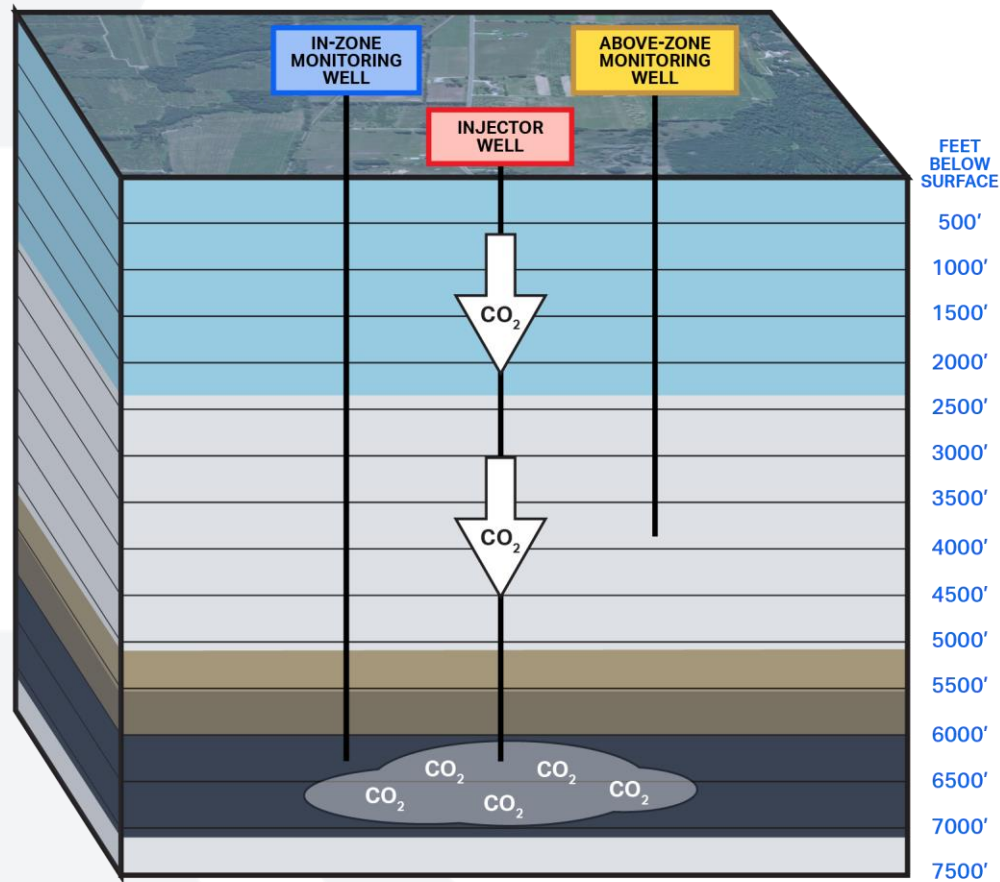
AGENDA

INTRODUCTION

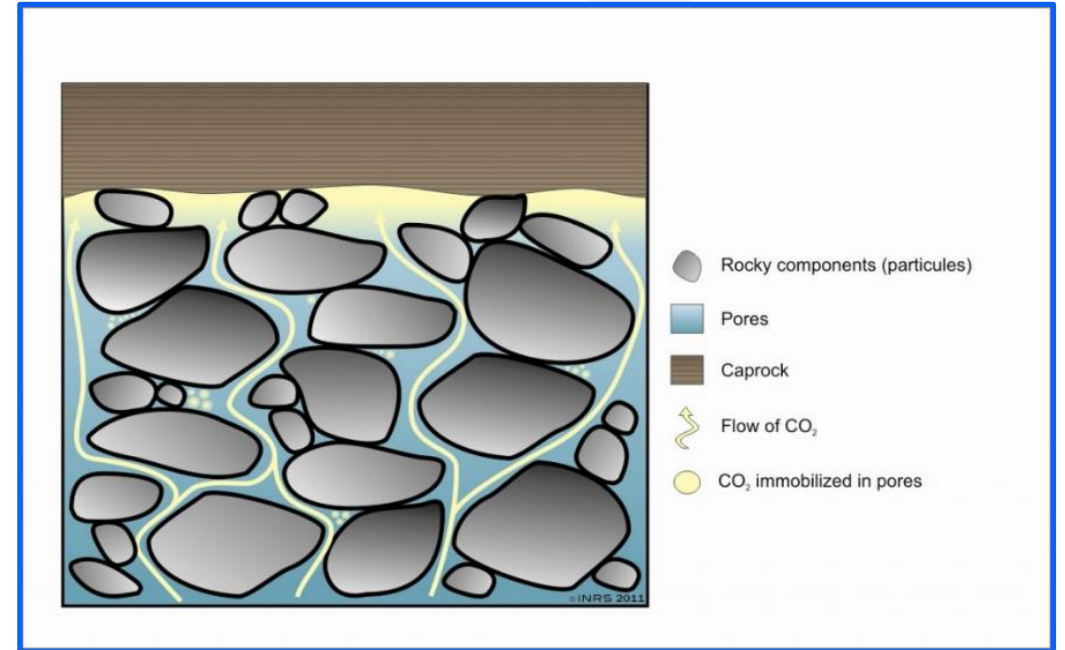
CO2 SEQUESTRATION

LIVINGSTON PROJECT

SAFE AND SECURE GEOLOGIC STORAGE

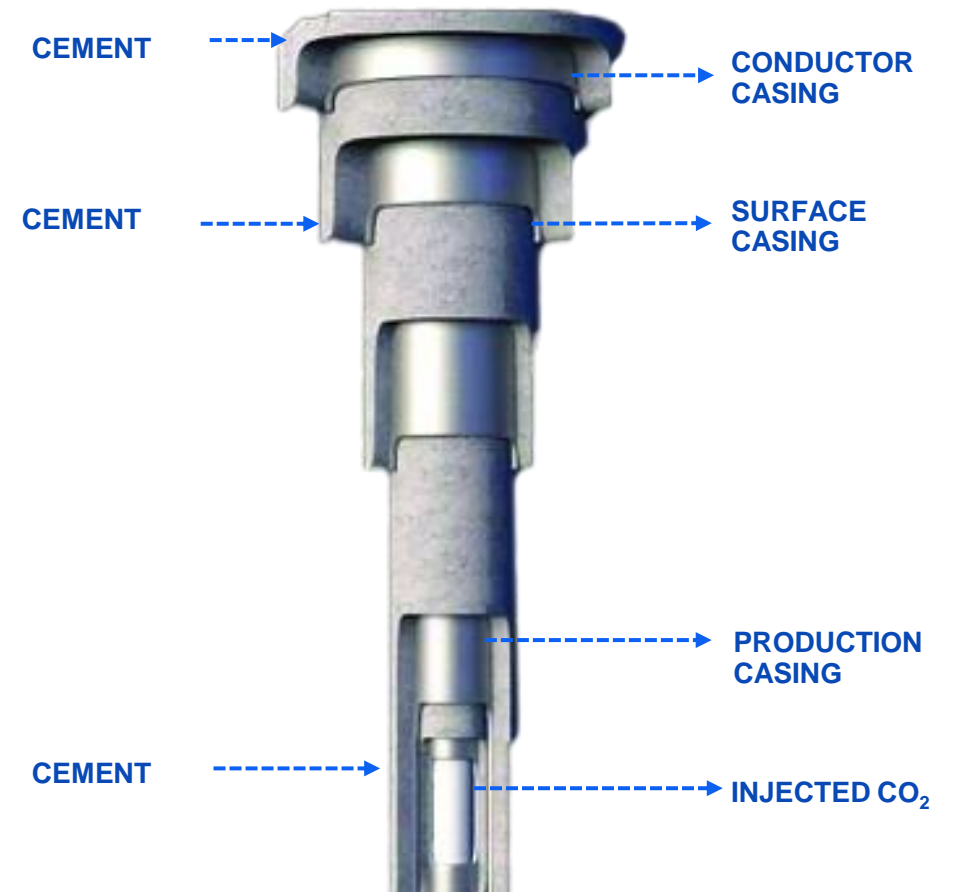


- FRESH WATER AQUIFERS
- Sand/Shale Interlayers
- ADDITIONAL STORAGE
- PRIMARY SEAL
- PRIMARY STORAGE (IN-ZONE)



PROTECTING THE DRINKING WATER - WELL ENGINEERING

- Designed to EPA Class VI Standard
- Multiple geologic barriers between the saline formation and the surface
- Multiple layers of casing and cement
- Injection through tubing and packer
- Continuous pressure monitoring



MONITORING THE SURFACE AND SUBSURFACE

Comprehensive documentation of plan required as part of the Environmental Protection Agency (EPA) Class VI permit

Class VI Testing and Monitoring Plan, includes:

- Multiple monitoring wells
- Sampling of drinking water
- Pressure Monitoring
- Loss detection
- Mechanical integrity inspections
- Infrared inspections
- Remote monitoring and shutdown capabilities
- Regular field inspections

Emergency Preparedness

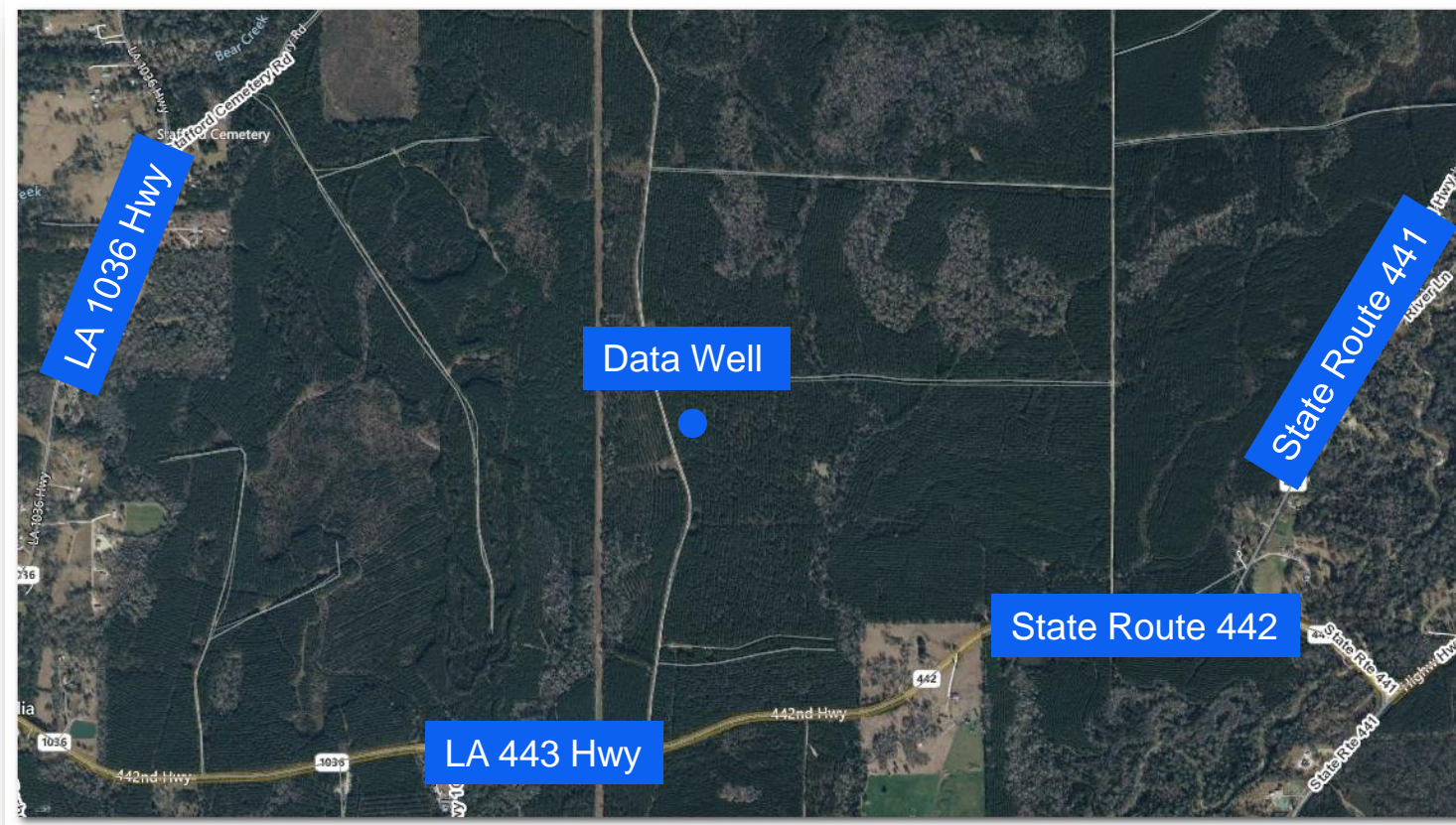
Livingston Parish

- Developing and sharing our Emergency Documentation with LP ER.
- Coordinating with local responders to develop training and exercises.
- Meeting Fire Chiefs to assess response capabilities.
- Assisting with possible Government grants.
- Requesting information on any gaps in capabilities to target donations.

Existing Oxy Infrastructure

- Oxy pipeline and CO2 injection emergency documentation has evolved over many decades.
- Ongoing interaction with response organizations across all our areas of operation.
- Coordinate public awareness programs.

CURRENT PHASE – DATA COLLECTION



Note, there is no CO₂ injection in this well.

POTENTIAL LIVINGSTON PROJECT

Full development depends on results of data well + successful permit applications.

Full Project:

- 5 – 6 Injection wells
- 8 – 10 Monitoring wells
- Pipeline system
- Ongoing Monitoring of the site, surface equipment and subsurface
- Drilling wells – early-2024
- Facility construction – mid-2024
- Project operational - 2025

STAKEHOLDER RELATIONS TEAM

DEDICATED TO COMMUNITIES SINCE 2014

- We seek feedback and learn from stakeholders to tailor our operations
- We are committed to transparency and sharing information about our operations
- We minimize and mitigate impacts
- We look forward to hearing from you. No one knows your community like you and we seek to become a positive and contributing member of the community

ONGOING COMMITMENT TO YOU

- We will provide mailed notifications for pad construction and drilling operations
- Our website will include project updates, and community meeting slide presentations
- We are happy to meet with you to listen to your feedback and answer your questions

866.248.9051
1PointFiveStakeholder@oxy.com
1PointFive.com